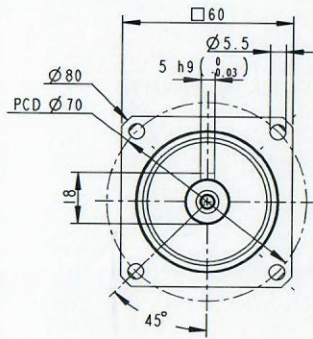


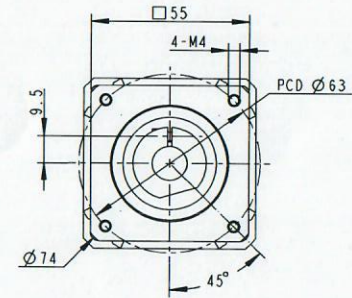
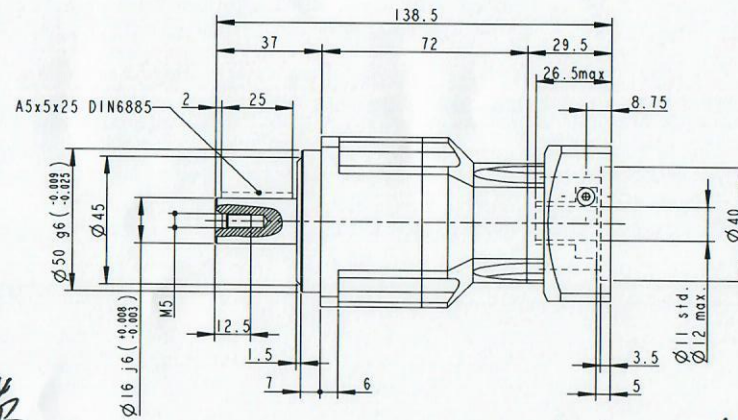
AB060-050-S1-P2
 减速机速比050:001



按图做和零件供货

刘宇峰

2020.2.13.



减速机输入端搭配BU-D11-S6轴套.



减速机-40摄氏度可以正常工作.

INERTIA: 0.03-0.03kg·cm²
 MASS: 1.5kg

SHAFT OPTION S1: SMOOTH OUTPUT SHAFT(STANDARD)
 SHAFT OPTION S2: OUTPUT SHAFT WITH KEYWAY
 REDUCED BACKLASH<= 5 arcmin
 STANDARD BACKLASH<= 7 arcmin

BUSHING SUPPLIED WHEN MOTOR SHAFT DIAMETER SMALL THAN Ø12

Old Part No. AB0602-P4010205

PART NO. AB0602-P0401100205 AB060-2, AD-W42-M55-5		 APEX DYNAMICS, INC.	
APPROVALS	DATE	TITLE AB060 2 STAGES, RATIO= 15-100 AND MOTOR FLANGE MOUNTING	
DRAWN 江淑惠		DWG NO. AB0602-P0401100205	
CHECKED		 SIZE A2	SCALE 1:1
APPROVED			REV 2.0