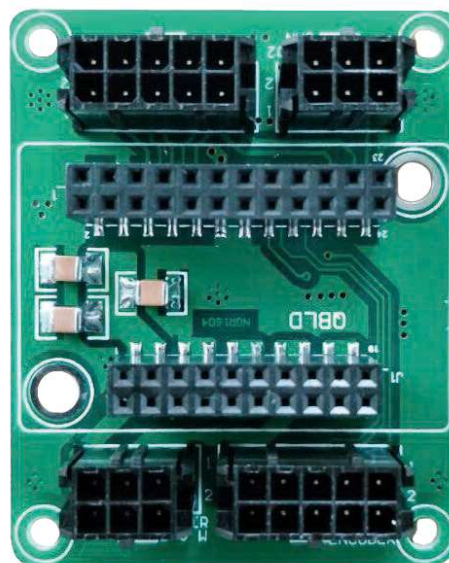
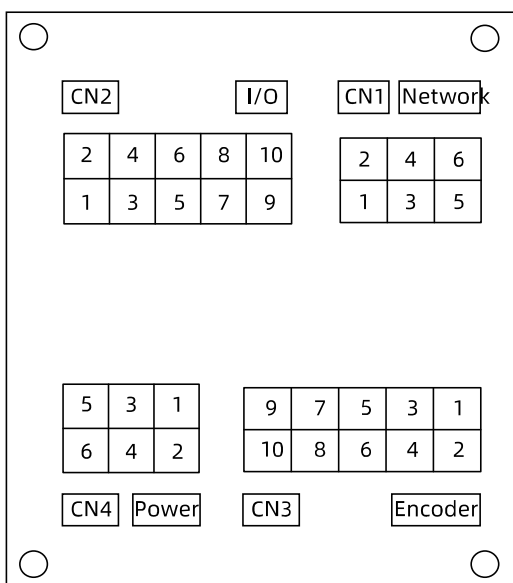


MOTEC[®] DGFLY3603驱动器接口板(DGFLY-INTERFACE)



CN1 Network			
Signal	PIN		Signal
RS232R	1	2	RS232T
GND	3	4	GND
CANH	5	6	CANL

CN4 Power & Motor			
Signal	PIN		Signal
Motor U	1	2	Power-
Motor V	3	4	-
Motor W	5	6	Power+

CN 2 I/O			
Signal	PIN		Signal
Analog+	1	2	Analog-
GND	3	4	GND
Input1	5	6	Input2
Input3	7	8	Input4
Out1	9	10	Out2

CN 3 Encoder			
Signal	PIN		Signal
Hall U	1	2	EncoderA
Hall V	3	4	EncoderB
Hall W	5	6	EncoderZ
+5V	7	8	GND
+5V	9	10	GND