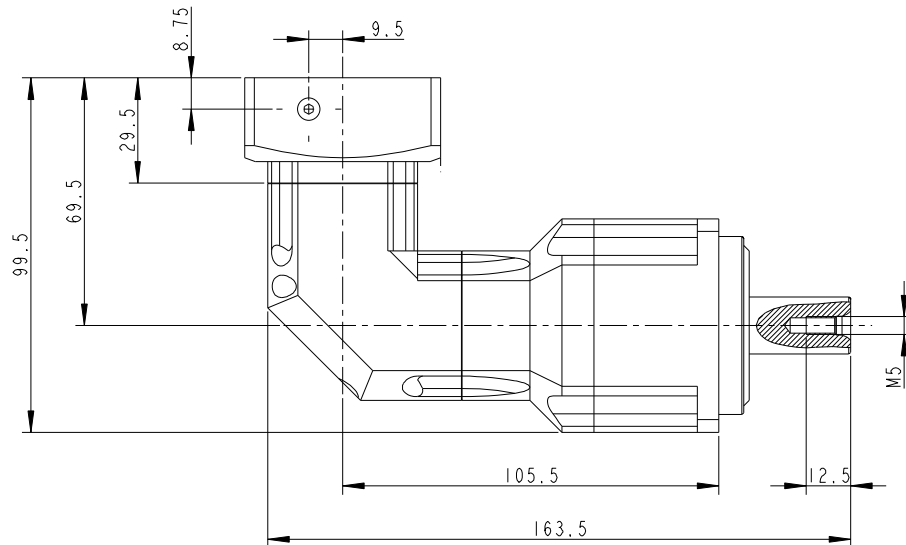
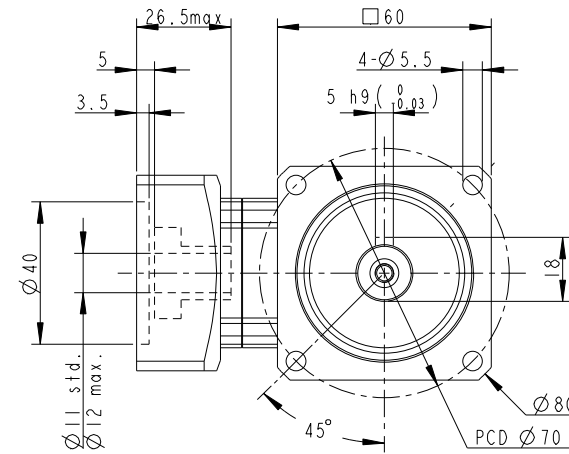
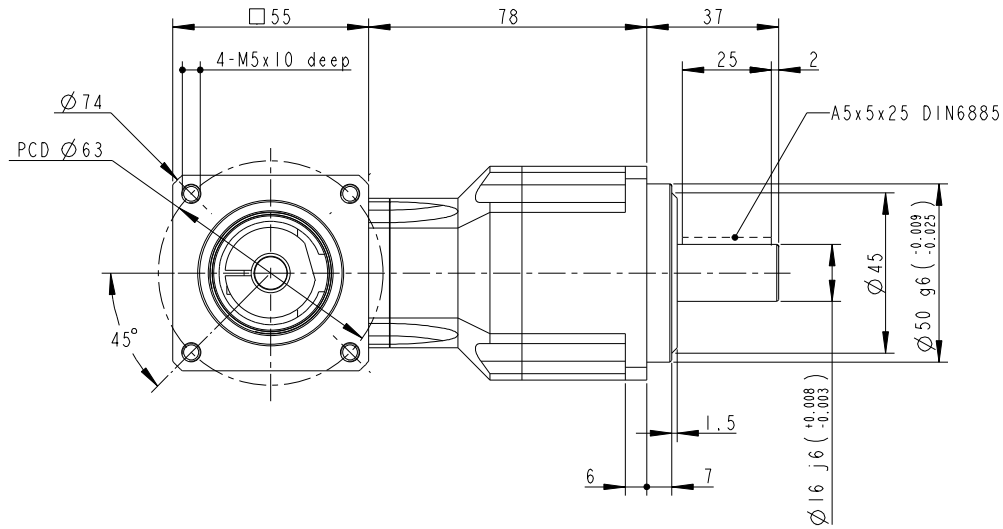


ABR060 - 030 - S2 - P0 / MAXON 370354-B5


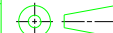


INERTIA: 0.09~0.09 kg-cm²
 MASS: 1.5 Kg

SHAFT OPTION S1: SMOOTH OUTPUT SHAFT(STANDARD)
 SHAFT OPTION S2: OUTPUT SHAFT WITH KEYWAY
 REDUCED BACKLASH<= 7 arcmin
 STANDARD BACKLASH<= 9 arcmin

***BUSHING SUPPLIED WHEN MOTOR SHAFT DIAMETER SMALL THAN $\varnothing 12$

Old Part No. ABR0602-P4010206

PART NO. ABR0602-P0401100206 ABR060-2, AD-W42-M55-6				
APPROVALS	DATE	TITLE ABR060 2 STAGES, RATIO= 25-100 AND MOTOR FLANGE MOUNTING		
DRAWN 江淑惠		DWG NO. ABR0602-P0401100206		
CHECKED				
APPROVED		SIZE A2	SCALE 1:1	REV 2.0