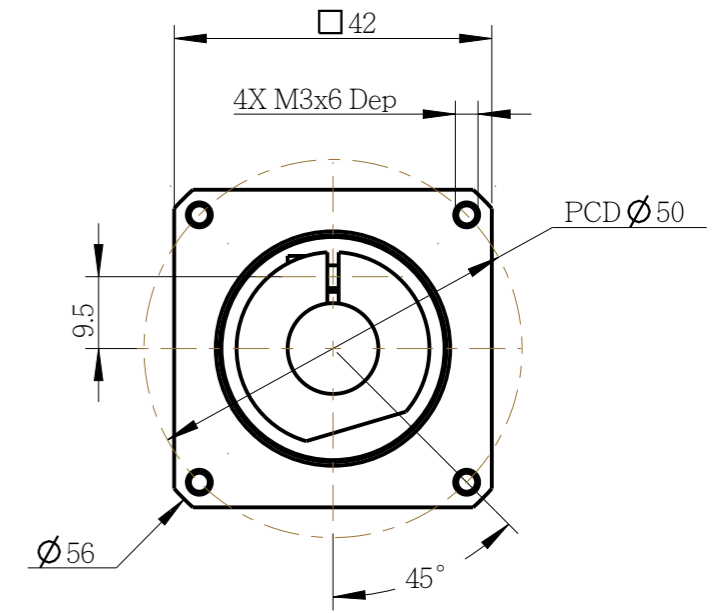
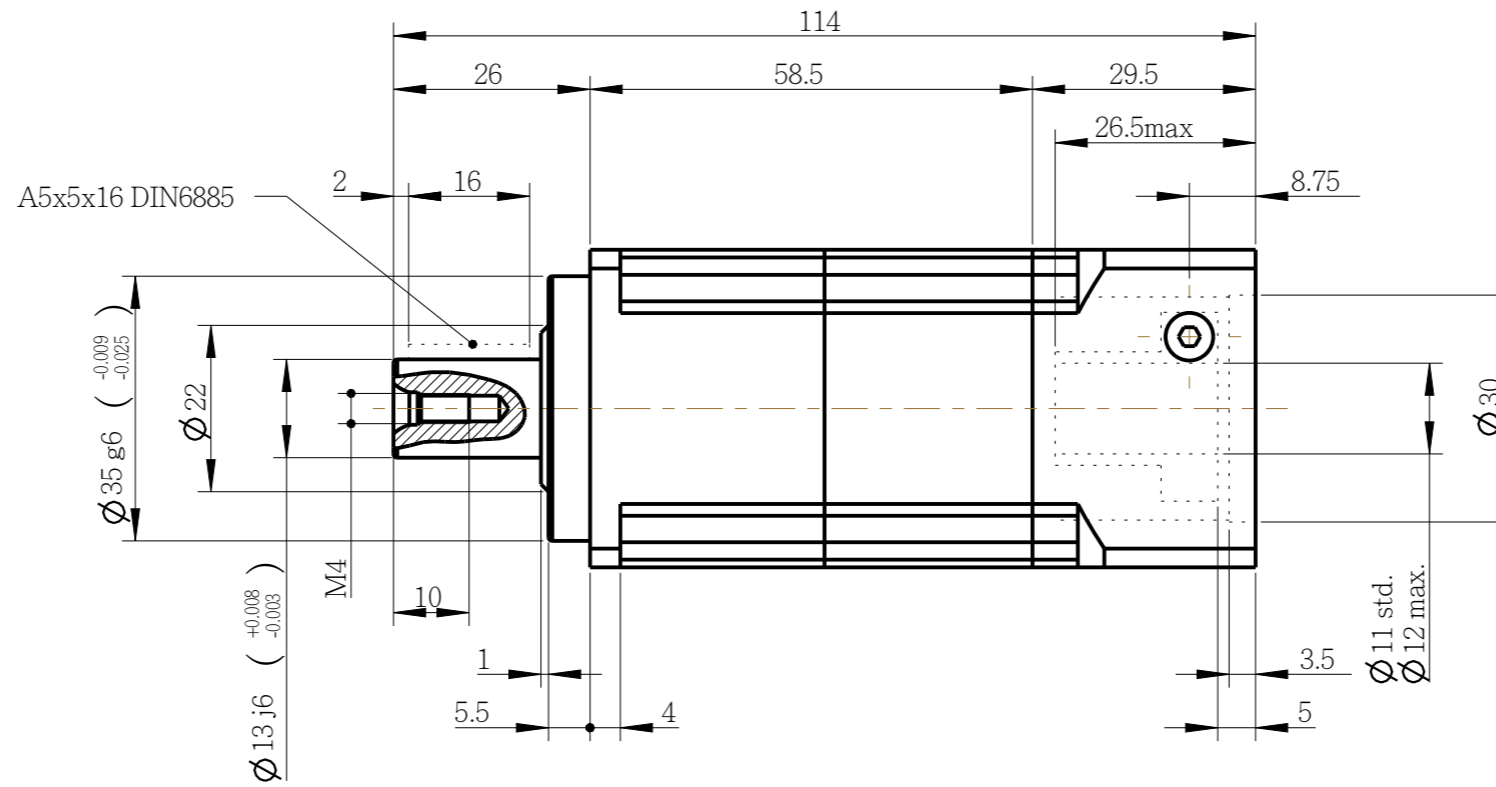
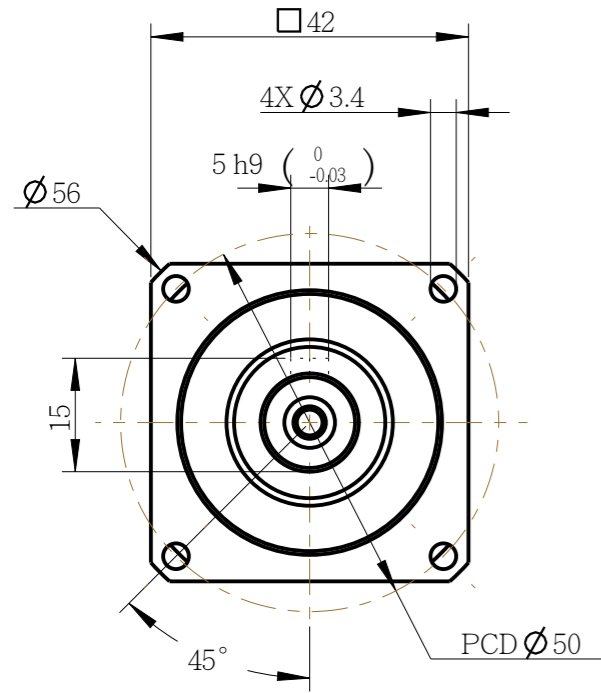


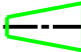


AB042 - 060 - S2 - P0 / MAXON 148877-B5



PART NO. AB0422-P0401100104 AB042-2, AD-W42-M42-4		 APEX DYNAMICS, INC.		
APPROVALS	DATE	TITLE AB042 2 STAGES AND MOTOR FLANGE MOUNTING		
DRAWN 陳俊宇		DWG NO. AB0422-P0401100104		
CHECKED				
APPROVED		 	SIZE A3	SCALE 1:1
				REV 2.0