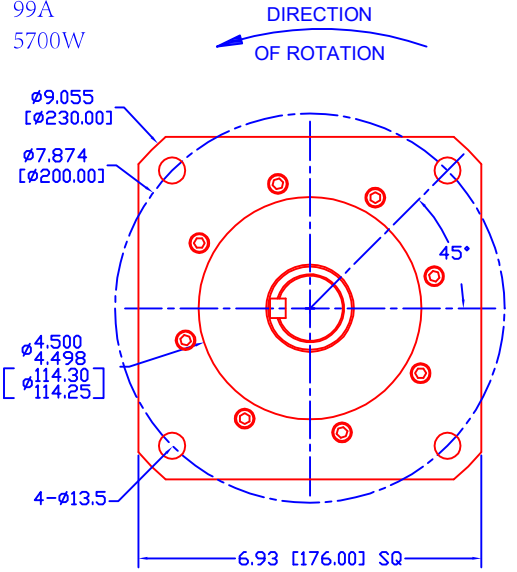
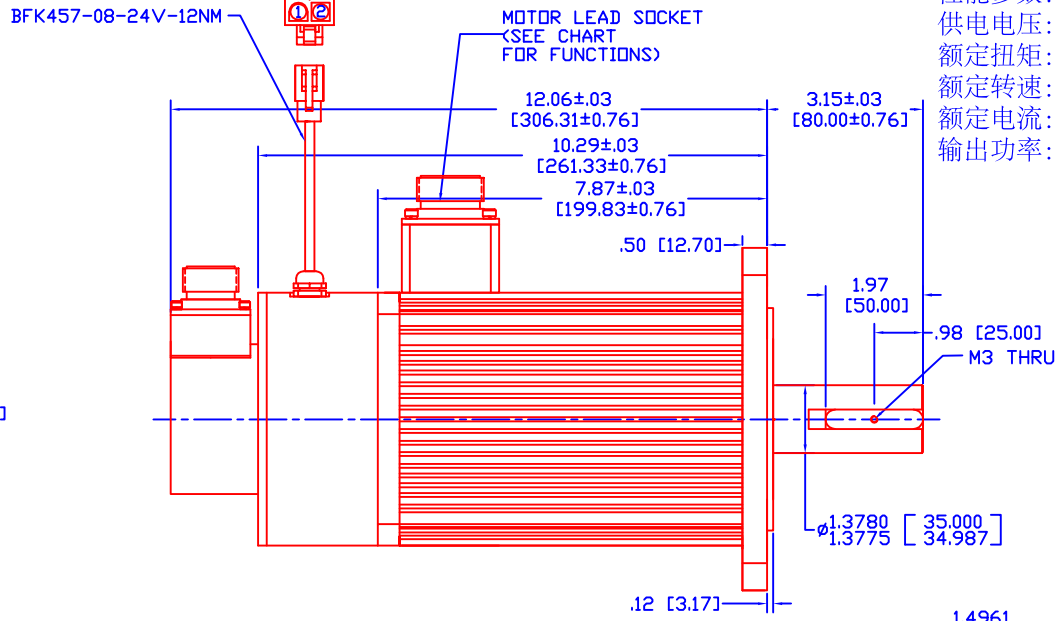
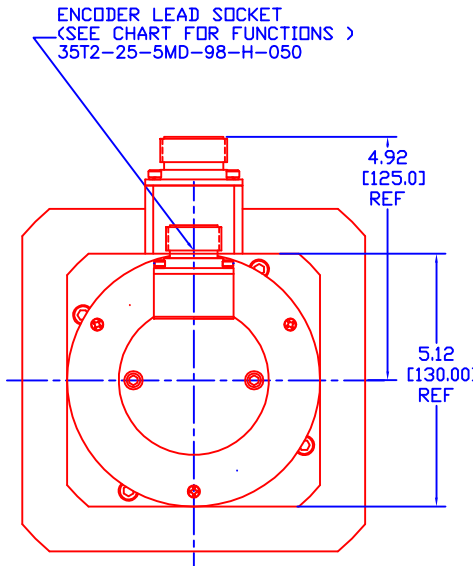
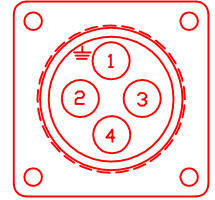


性能参数:
 供电电压: DC75V
 额定扭矩: 18Nm
 额定转速: 3000RPM
 额定电流: 99A
 输出功率: 5700W

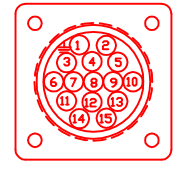
REVISIONS		
DESCRIPTION	APPROVED	DATE



SHUCK	Shield	1
橙ORANGE/BLACK黑	W- ch Output	15
ORANGE橙	W+ ch Output	12
灰GRAY/BLACK黑	V- ch Output	14
GRAY灰	V+ ch Output	11
棕BROWN/BLACK黑	U- ch Output	13
BROWN棕	U+ ch Output	10
黄YELLOW/BLACK黑	Z- ch Output	9
YELLOW黄	Z+ ch Output	6
白WHITE/BLACK黑	B- ch Output	8
WHITE白	B+ ch Output	5
绿GREEN/BLACK黑	A- ch Output	7
GREEN绿	A+ ch Output	4
BLACK黑	0V	3
RED红	DC+5V	2
COLOR	FUNCTION	PIN
ENCODER LEAD WIRES		



FACE TO THE BACK OF CONNECTING END OF THE CONNECTOR
 面对插头的焊接端看

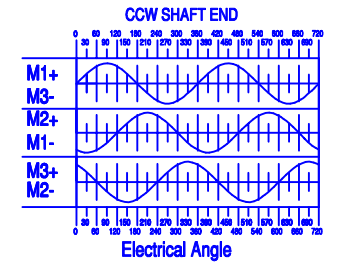
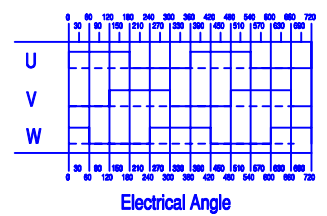


FACE TO THE BACK OF CONNECTING END OF THE CONNECTOR
 面对插头的焊接端看

COLOR	FUNCTION	PIN
WHITE	M3	1
BLACK	M2	3
RED	M1	2
COLOR	FUNCTION	PIN
MOTOR LEADS - 10 AWG		

MOTOR SPECIFICATIONS:
 TORQUE CONSTANT (Kt) = 26.3 ±10% OZ-IN/AMP
 VOLTAGE CONSTANT (Ke) = 19.4 ±10% VOLTS/KRPM
 机身全部黑色喷漆, 法兰安装面见光

UNLESS OTHERWISE SPECIFIED		APPLICATION	
TOLERANCES		FIRST USED ON	
XX	+/- .010		
XXX	+/- .005		
ANGLES	+/- ½		
FRACTIONS	+/- ½e	DRAWN GAD 2020/11/24	
		CHECKED	
DIMENSIONS IN INCHES AND APPLY AFTER PROCESSING. REMOVE BURRS & SHARP EDGES.		PRD.J. APP'D	
		APPROVED	



MOTEC (中国) 营业体系			
THIS DRAWING CONTAINS INFORMATION THAT IS PROPRIETARY TO MOTEC CHINA AND SHOULD OBTAIN WRITTEN PERMISSION.			
SIZE	C	DWG. NO.	DSEM-J7510030E180LR
SCALE			REV A
			SHEET 1 OF 2