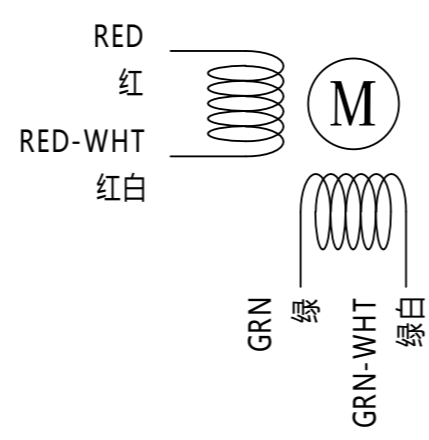
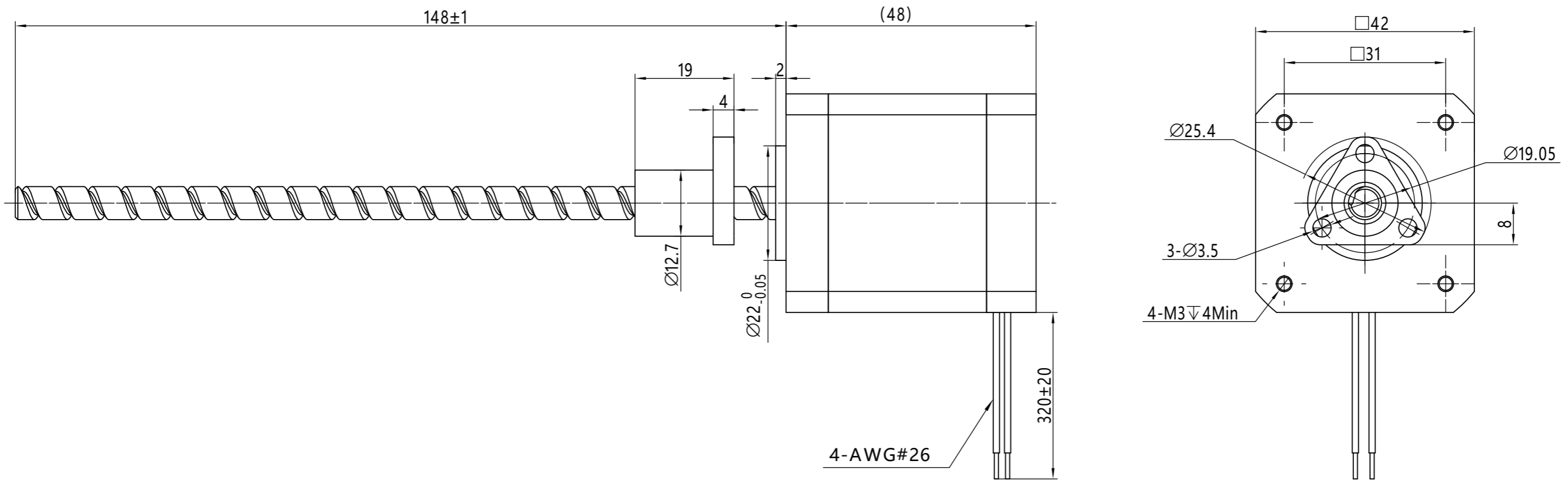


REVISIONS 修订栏				
REV.版本号	DISCRIPTION 描述	ECN变更号	DATE日期	APPROVED BY 批准
A.1	首次发布	-	2025-01-06	ML



Technical parameters 技术参数			
Phases 电机相数	2	Lead screw diameter 丝杆直径	6.35mm
Step angle 步距角	1.8°	Lead 导程	2mm
Rated voltage 额定相电压	2V	Linear travel perstep 整步步长	0.01mm
Rated current 额定相电流	2.5A	Insulation class 绝缘等级	B
Rated resistance 额定电阻	0.78Ω ±10%	Insulation resistance 绝缘电阻	100MΩ@500VDC
Rated inductance 额定电感	1.5mH ±20%	Operation temperature 环境温度	-20°C - +50°C
Holding torque 保持力矩	0.5Nm	Heatrise 温升	80K

- 注意事项:
1. 电机螺杆不得承受径向负载。
 2. 电机螺杆不能夹装或者受到硬物挤压,以免损坏螺牙。
 3. 电机螺杆已经涂覆专用油脂,如需再加油脂请与厂家联系。
 4. 使用期间有任何问题请与厂家联系,请勿私自拆解电机。
 5. 电机必须轻拿轻放,拿取时请拿电机本体,勿手拎引出线。

Exciting Sequence 励磁顺序				
STEP	A+	B+	A-	B-
1	+	+	-	-
2	-	+	+	-
3	-	-	+	+
4	+	-	-	+
5	+	+	-	-

CUSTOMER 客户:

UNLESS OTHERWISE SPECIFIED, REMOVE ALL BURRS.
 在没有特别注明时,零件需去除所有飞边毛刺
 BREAK SHARP EDGES 0.25mm MAX.
 未注倒角最大0.25mm

DIMENSIONS ARE IN MILLIMETERS. TOLERANCES AS BELOW:
 尺寸单位为毫米(mm),未注公差按照以下标准:

DECIMALS: X ±0.38
 DECIMALS: X.X ±0.25
 DECIMALS: X.XX ±0.13
 DECIMALS: X.XXX ±0.076
 ANGLES: ±2°

Specification 技术规格书	DESIGNED BY 设计:	PROPRIETARY NOTICE <small>THIS DOCUMENT CONTAINS CONFIDENTIAL AND TRADE SECRET INFORMATION AND IS DISCLOSED TO THE RECEIVER IN CONFIDENCE. THE RECEIVER, BY RECEIVING AND RETENTION OF THIS DOCUMENT ACCEPTS THIS DOCUMENT IN CONFIDENCE AND AGREES THAT, EXCEPT AS AUTHORIZED IN WRITING BY AN OFFICER OF WILLES, NOT USE ANY PORTION OF THIS DOCUMENT OR ANY COPY THEREOF OR THE CONFIDENTIAL OR TRADE SECRET INFORMATION THEREIN. (3) NOT DISCLOSE TO OTHERS ANY PORTION OF THIS DOCUMENT OR THE CONFIDENTIAL OR TRADE SECRET INFORMATION THEREIN, AND (4) UPON COMPLETION OF THE NEED TO RETAIN THIS DOCUMENT, OR UPON DEMAND, RETURN THIS DOCUMENT, ALL COPIES THEREOF AND ALL MATERIALS DERIVED THEREFROM.</small>	SCALE 比例:	TITLE 零件名:	REV.版本号:
	ML		1:1	线性步进电机	A.1
DATE 日期:	2025/1/6	FIRST ANGLE PROJECTION? 第一视角	PART NUMBER 图号:	SHEET 页码:	
			SM2-450L-M547	1 OF 1	