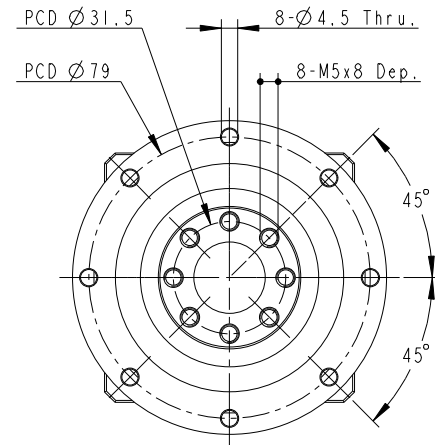
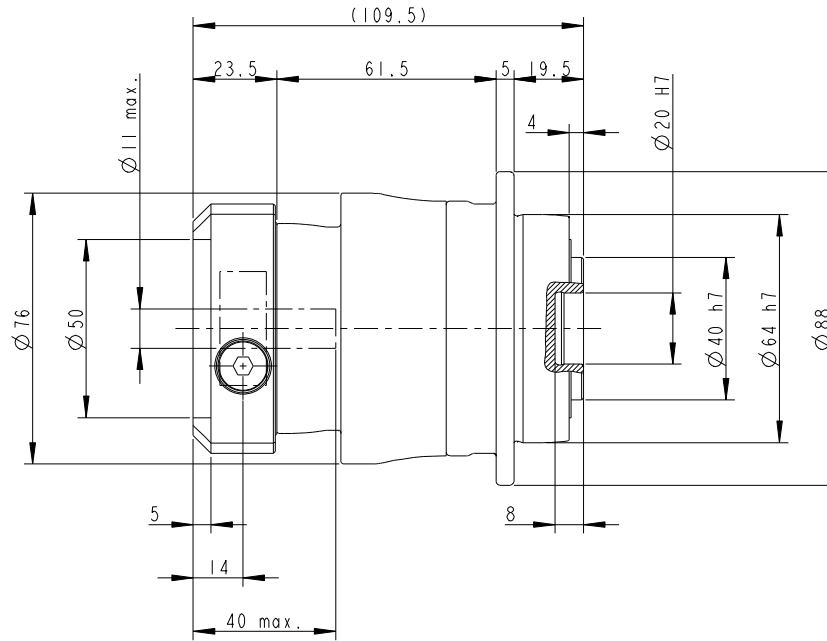
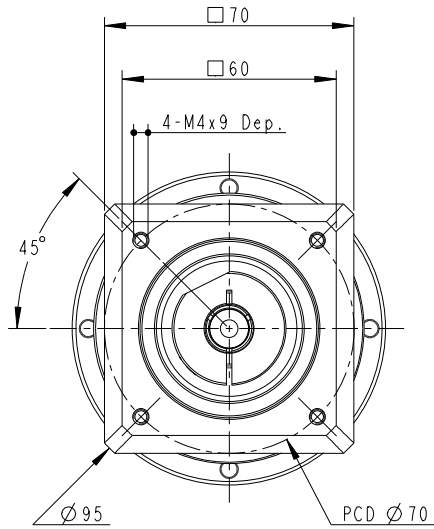



AH064 - 070 / PANASONIC MAMMA022P1X



PART NO. AH064_2ST_11-P0409200903 AD-AD2-S11-M60-3		 <b>APEX DYNAMICS, INC.</b>	
APPROVALS	DATE	TITLE AH064_2 Stage_S11 , RATIO=16-100 AND MOTOR FLANGE MOUNTING	
DRAWN 江淑惠		DWG NO. AH064_2ST_11-P0409200903	
CHECKED		SIZE A2	SCALE 1:1
APPROVED			REV