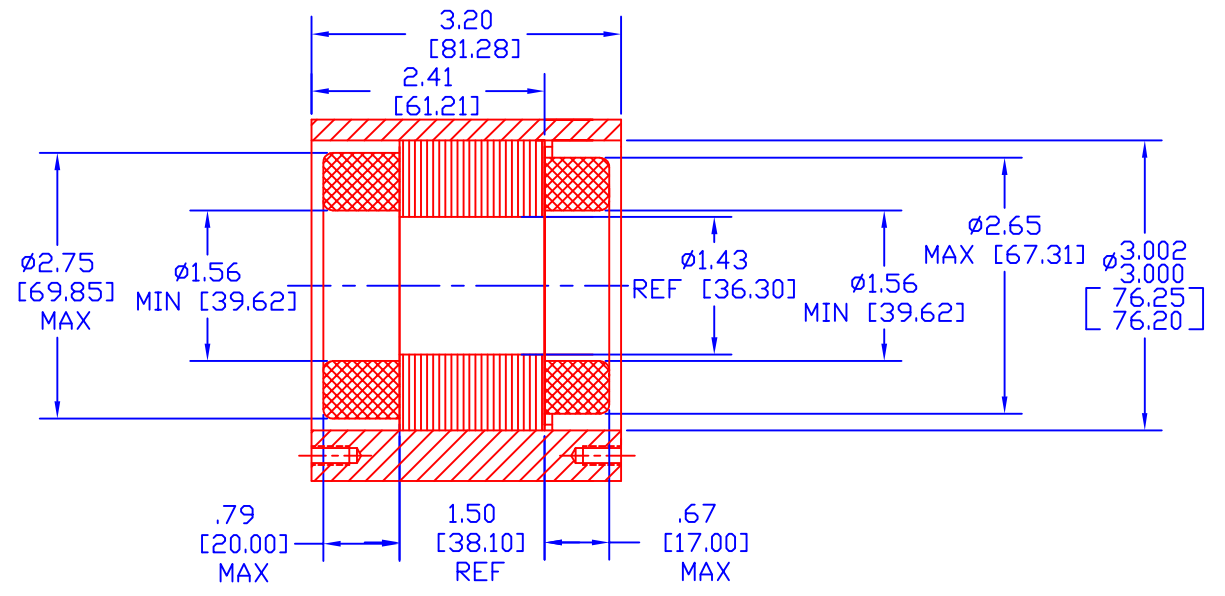
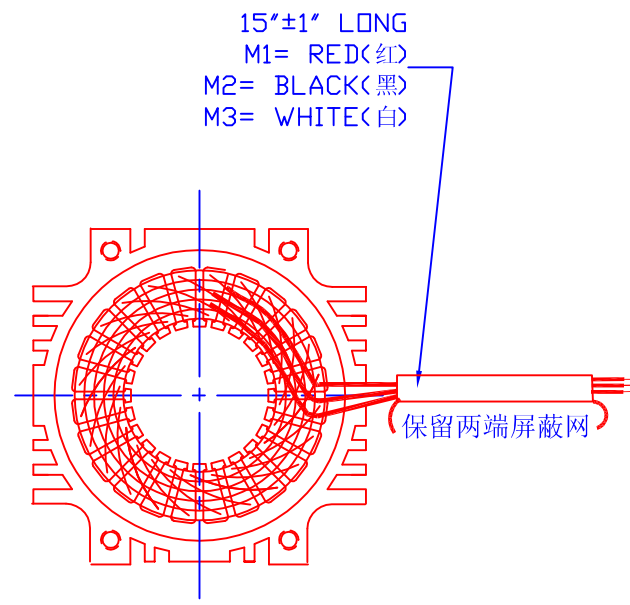


REVISIONS			
REV	DESCRIPTION	APPROVED	DATE
A	PROTOTYPE	XXX	0000/00/00



UNLESS OTHERWISE SPECIFIED TOLERANCES			APPROVALS		DATE
DECIMALS	INCH	MM	DRAWN	REN	2015/04/23
.0	±.020	±0.50	CHECKED		
.00	±.010	±0.25	APPROVED		
.000	±.005	±0.13			
ANGLES	± 1/2°	± 1/2°	THIS DRAWING CONTAINS INFORMATION THAT IS PROPRIETARY TO MOTEC CHINA AND SHOULD NOT BE REPRODUCED WITHOUT WRITTEN PERMISSION		
BREAK ALL SHARP EDGES					
PROJECTION					
TITLE			MOTEC (中国) 营业体系		
SIZE			DC48V, 500W		
DWG. NO.			440346004		
USED ON			DC48V, 500W		
SCALE			1:1		
SHEET			1 OF 1		